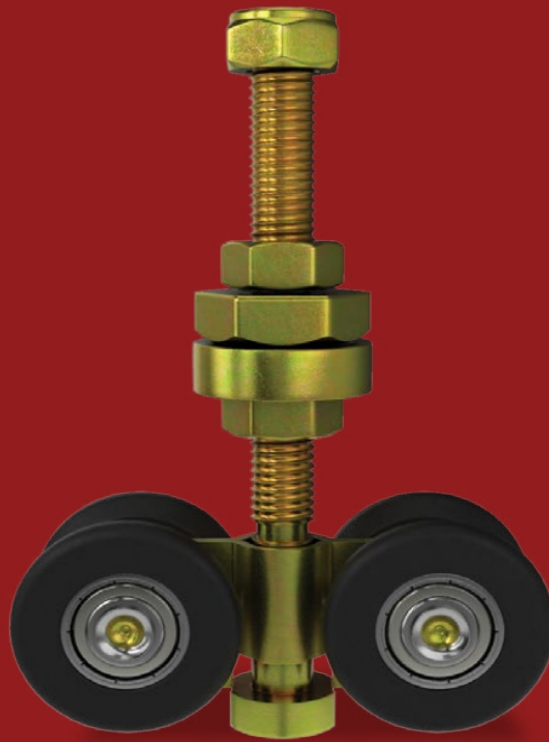


# CURTAIN SIDER

Replacement Components  
for Curtain Siders

---

- 386 CURTAIN SIDE - ROLLER
- 386 CURTAIN SIDE - CURTAIN TENSIONER
- 387 CURTAIN SIDE - DOOR RETAINER
- 388 CURTAIN SIDE - LARGE DOOR RETAINER
- 388 CURTAIN SIDE - OVERCENTRE CENTRE BUCKLE



MCNROLLER - CURTAIN SIDER



## MCNROLLER

CURTAIN SIDER - ROLLER



MATERIAL

**Mild Steel**

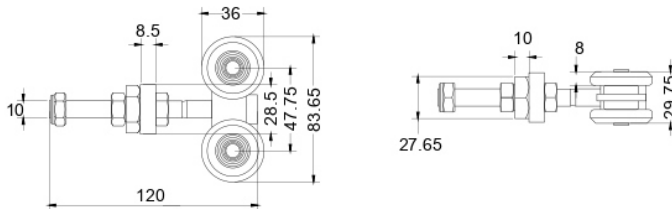
DESCRIPTION

Gold Passivated Mild Steel Shaft, Bracket & Spacer. Shaft M10. Supplied with 2 x M10 nuts and M10 Nyloc Nut. 4 x Sealed Roller Bearing Wheels per Unit.



MCNROLLER

### SPECIFICATIONS



## T73009AQR

CURTAIN TENSIONER - RIGHT HAND - ALUMINIUM

## T73009AQL

CURTAIN TENSIONER - LEFT HAND - ALUMINIUM



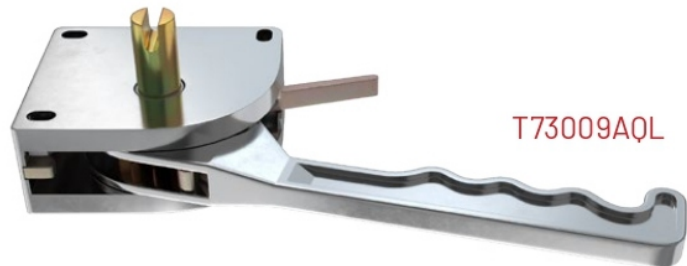
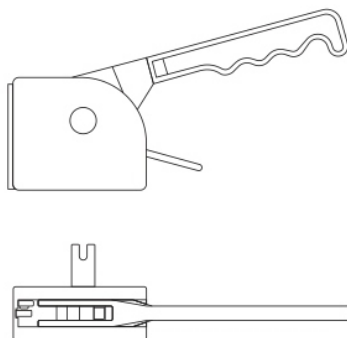
DESCRIPTION

Material: Cast alloy



T73009AQR

### SPECIFICATIONS



T73009AQL

## 631901

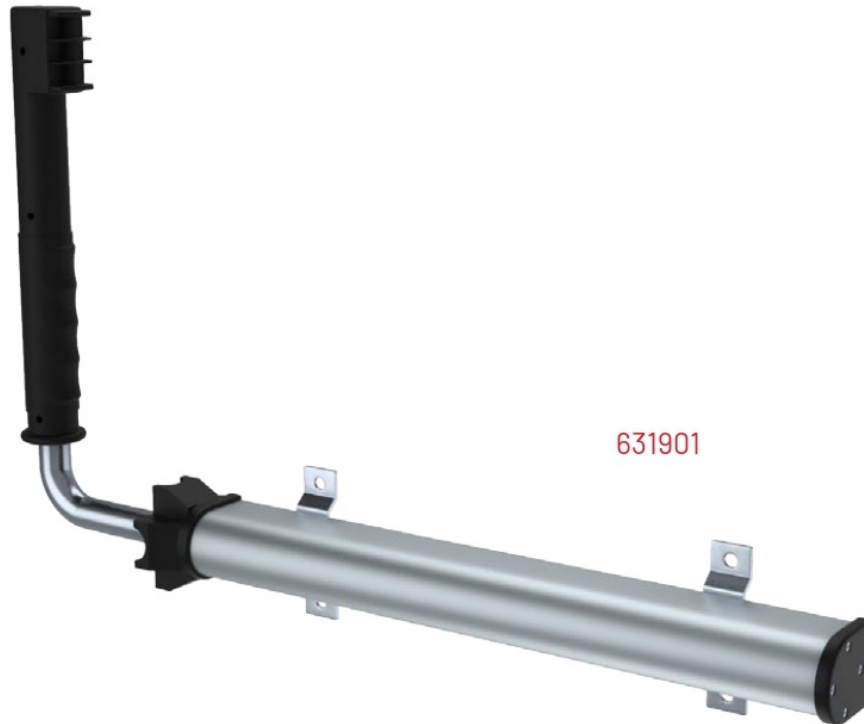
### CURTAIN SIDER - DOOR RETAINER

#### MATERIAL

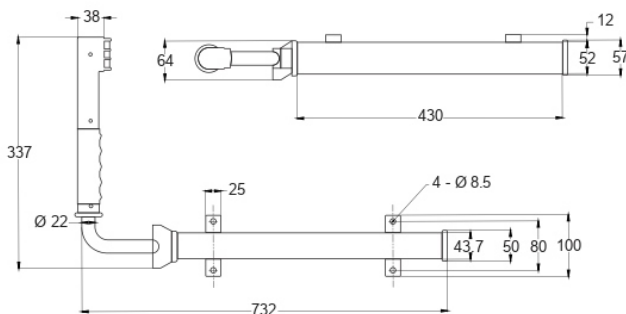
**Aluminium Profile - Plastic end Caps.  
Rubber protective arm.**

#### DESCRIPTION

The spring loaded retainer is polyurethanelled against a high grade steel compression spring. The compression spring is located inside a sealed aluminium profile housing which is tightened by plastic end covers and protected against dirt and humidity by O-rings. The plastic cover on the front side is fitted with counter sunk stops which hold the arm in the released position and prevent it moving into a position other than that required. The aluminium strip comes with two longitudinal channels for holding the two, infinitely adjustable fixing brackets which are screw or weld-mounted to the vehicle. The internal parts are galvanized, smooth-running and maintenance-free. The spring loaded arm has a stroke of approx. 230 mm.



#### SPECIFICATIONS



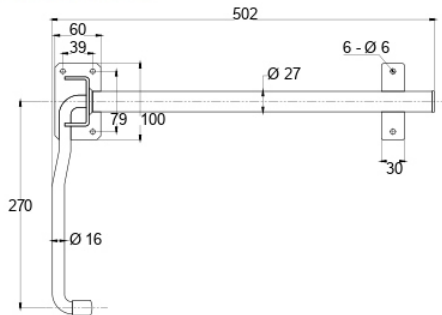
### 70822ZP

CURTAIN SIDER - LARGE DOOR RETAINER

MATERIAL

**Mild Steel Zinc Plated**

#### SPECIFICATIONS



#### DESCRIPTION

Spring handle. 2 positions at 180° from each other.

Dimensions :

499mm long x 350mm handle x 60mm wide.

Shaft inner OD 16mm Outer OD 27mm.



70822ZP

### OCB-001

CURTAIN SIDER - OVER CENTRE STRAP BUCKLE

#### DESCRIPTION

Over Centre strap buckle.

Used on most Side Curtains.

50mm.

Stainless Steel.

Black Plastic Push Button on bottom.

Load Capacity : 400kg



OCB-001

### OCB-002

CURTAIN SIDER - OVER CENTRE STRAP BUCKLE

#### DESCRIPTION

Over Centre strap buckle.

50mm.

Stainless Steel.

Stainless Push Button on bottom.

Load Capacity : 550kg



OCB-002

#### SPECIFICATIONS

