

# DROPSIDE TAILGATE HARDWARE

All the parts required for dropside and  
tailgate production and repairs.  
Hinges, locking kits and accessories.  
A large range of options are available.

186 DROPSIDE CORNER KIT / HANDLE  
187 OVERCENTRE H/DUTY HANDLE  
188 OVERCENTRE FASTENER  
189 HINGE STRAP  
192 GUDGEON AND HINGE

194 GUDGEON  
198 ANTI LUCE EYELET  
199 SPACER BLOCK  
200 DROPSIDE LOCKING KIT - FORGED STEEL  
200 TAILGATE LATCH  
202 MUDFLAPS



GUDGEON BOLT ON  
1135R-ZP



**DS1197KIT**  
DROP SIDE CORNER KIT

MATERIAL

**Steel**

FINISH

**Zinc Plated**

DESCRIPTION

Weld on ute tray spring handle corner kit with catch plate complete  
Zinc Plated  
Universally handed  
(Sold in kit form as shown)



DS1197KIT

**DS1197-ROD-R**  
DROP SIDE CORNER HANDLE

MATERIAL

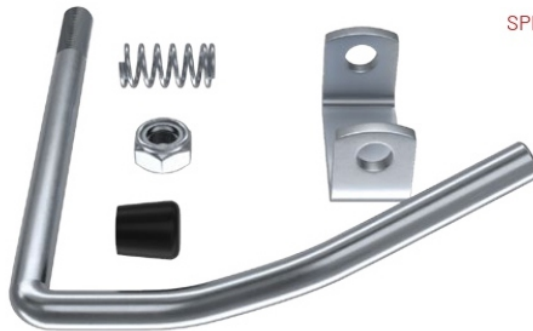
**Steel**

FINISH

**Zinc Plated**

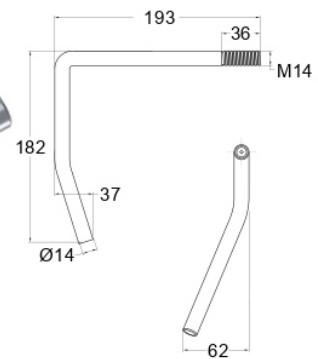
DESCRIPTION

Drop side corner handle  
Right hand - specific handed  
(Shown with hardware for the weld on corner kit with DS1197 - 2 -ZP weld on "U" Bracket. All items sold separately)



DS1197-ROD-R

SPECIFICATIONS



**DS1197-ROD-L**  
DROP SIDE CORNER HANDLE

MATERIAL

**Steel**

FINISH

**Zinc Plated**

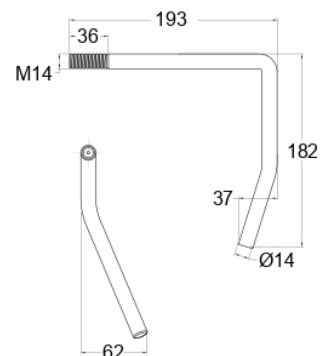
DESCRIPTION

Drop side corner kit  
Left hand - specific handed  
(Shown with hardware for the bolt on corner kit with DS1197 - 3 -ZP bolt on "U" Bracket. All items sold separately)



DS1197-ROD-L

SPECIFICATIONS



**1197A**  
CATCH PLATE

MATERIAL  
**Steel**  
FINISH  
**Zinc Plated**

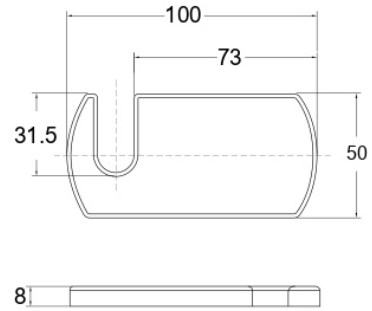
DESCRIPTION

Weld on catch plate.  
To suit DS1197KIT and rods.  
(Sold separately)



1197A

SPECIFICATIONS



**9085258**  
OVER CENTRE

MATERIAL  
**Steel**  
FINISH  
**Zinc Plated**

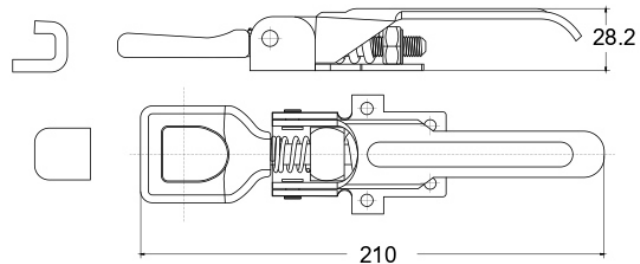
DESCRIPTION

Bolt on heavy duty over centre catch.  
Weld on catch plate.  
Spring tensioned.  
Mainly used on tray bodies.



9085258

SPECIFICATIONS



**032300ZP/032300SS**  
OVER CENTRE

MATERIAL  
**Steel / Stainless Steel**  
FINISH  
**Zinc Plated / Polished**

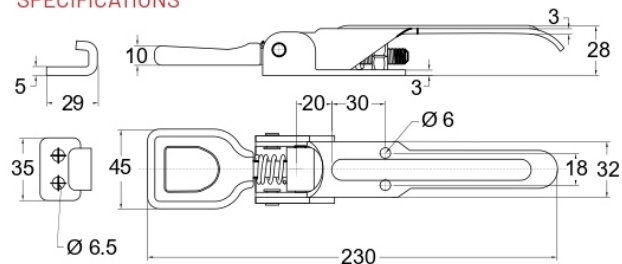
DESCRIPTION

Bolt on heavy duty over centre catch.  
Concealed fixing.  
Bolt on catch plate.  
Spring tensioned.  
Mainly used on tray bodies.  
Zinc Plate or Stainless Steel options.  
(Stainless option to suit Hinge Kit 60040-9SS)



032300ZP

SPECIFICATIONS

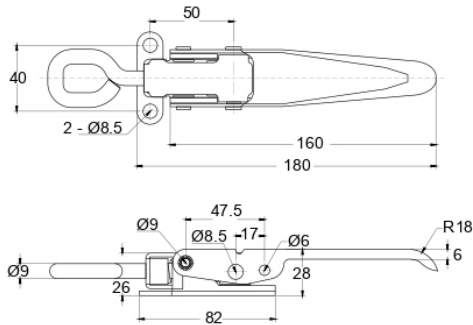


**022300ZP-B0 / 022300SS-ST / 022300ZP-W0 / 022300ZP- HK**  
FASTENER

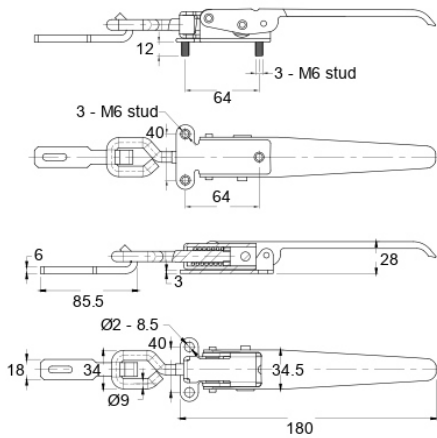
MATERIAL  
**Steel / Stainless Steel**

FINISH  
**Zinc Plated / Polished**

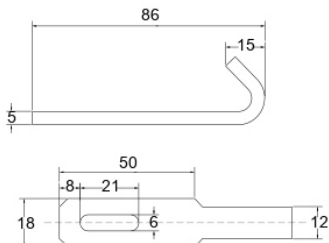
**SPECIFICATIONS: 022300ZP-B0**



**SPECIFICATIONS: 022300SS-ST**



**SPECIFICATIONS: 022300ZP-HK**



**DESCRIPTION**

Bolt on medium duty overcentre fastener.  
Bolt on hook catch plate.  
Optional : 022300ZP-W0

Weld on overcentre fastener with hook.  
Optional : 022300ZP-HK  
Separate hook available.

Bolt on medium duty overcentre fastener.  
Stud fixing-body.  
Bolt on catch plate  
Supplied in Stainless Steel - 022300SS-ST



**022300ZP-B0**



**022300SS-ST**



**022300ZP-W0**

**1145**  
HINGE STRAP

MATERIAL

**Steel**

FINISH

**Raw**

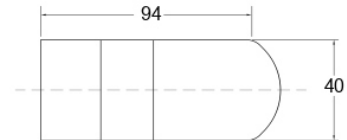
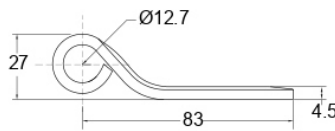
DESCRIPTION

Hinge strap weld on.  
94mm long 40mm wide 27mm high.  
To suit dropside gudgeons.



1145

SPECIFICATIONS



**1145ZP**  
HINGE STRAP

MATERIAL

**Steel**

FINISH

**Zinc Plated**

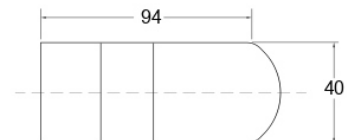
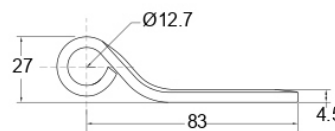
DESCRIPTION

Hinge strap weld on.  
94mm long 40mm wide 27mm high.  
To suit dropside gudgeons.



1145ZP

SPECIFICATIONS



**1146ZP**  
HINGE STRAP

MATERIAL

**Steel**

FINISH

**Zinc Plated**

DESCRIPTION

Hinge strap bolt on.  
95mm long 40mm wide 26.5mm high.



1146ZP

SPECIFICATIONS

