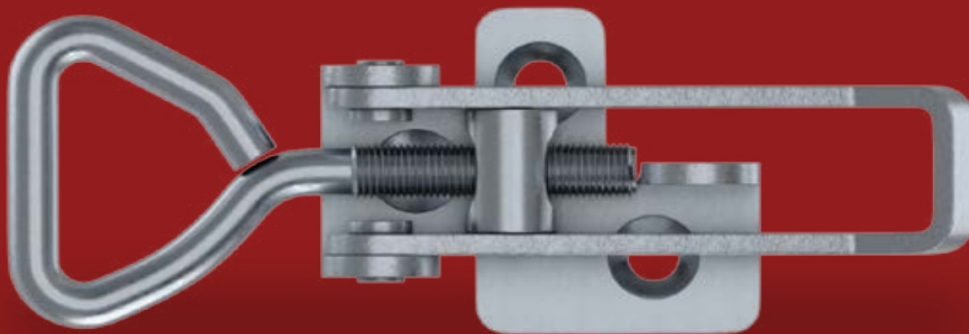


# FASTENERS

Fasteners are used for locking down and holding firm, doors, plates and loads whilst applying pressure to foams and rubbers for sealing purposes.

- 
- |     |  |     |   |
|-----|--|-----|---|
| 80  | FASTENERS - ANTI LUCE                            | 101 | FASTENERS - BARREL BOLTS                |
| 83  | FASTENERS - BONNET                               | 102 | FASTENERS - PANIC BOLT                  |
| 84  | FASTENERS - OVER CENTRE                          | 102 | FASTENERS - DROP BOLTS                  |
| 87  | FASTENERS - HOOK                                 | 103 | FASTENERS - PAD BOLTS                   |
| 90  | FASTENERS - OVER CENTRE - TOGGLE LATCH           | 104 | FASTENERS - LINCH PINS                  |
| 91  | FASTENERS - OVER CENTRE - HEAVY DUTY             | 104 | FASTENERS - SHAFT LOCKING PIN           |
| 94  | FASTENERS - DRAW LATCH - OVERCENTRE<br>- SOUTHCO | 105 | FASTENERS - R CLIPS                     |
| 95  | FASTENERS - DRAW LATCH - FLEXIBLE                | 105 | FASTENERS - SNAP HOOKS                  |
| 96  | FASTENERS - DRAW LATCH - ROTARY                  | 106 | FASTENERS - FLOORBOARD<br>- HATCH COVER |
| 100 | FASTENERS - HASP AND STAPLE                      | 106 | FASTENERS - GRAVELLY FASTENER           |
|     |  | 107 | FASTENERS - UBOLTS                      |



FASTENER OVER CENTRE  
LOCKING



\* All SOUTHCO products shown can be found at [www.southco.com](http://www.southco.com)  
Full range of products, drawings and technical details are readily accessible.

## 2224 / 2224S

ANTI LUCE

MATERIAL

Mild Steel / Stainless Steel

FINISH

Zinc Plated / Polished

TYPE

Weld On

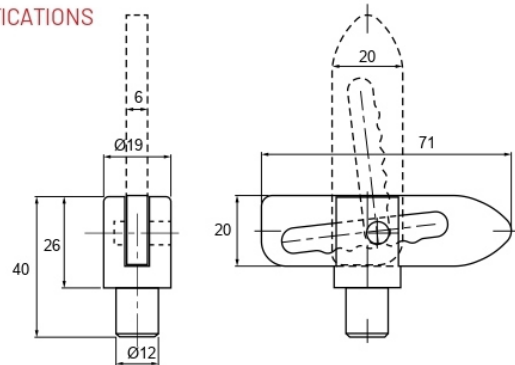
DESCRIPTION

Anti luce fasteners are commonly used on caravans, camper trailers and ute bodies. Anti luce fasteners are a very easy way to lock a door in tight and dropping a padlock through when engaged also acts as a locking mechanism.



2224

SPECIFICATIONS



## 2255

ANTI LUCE

MATERIAL

Mild Steel

FINISH

Zinc Plated

TYPE

Threaded - Bolt On

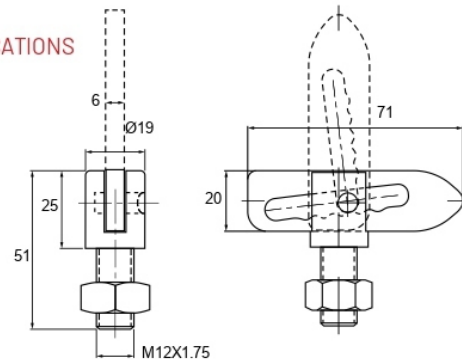
DESCRIPTION

Anti luce fastener bolt on M12x1.25



2255

SPECIFICATIONS



**3244**  
ANTI LUCE

MATERIAL  
**Mild Steel**

FINISH  
**Zinc Plated**

TYPE  
**Threaded - Bolt On**

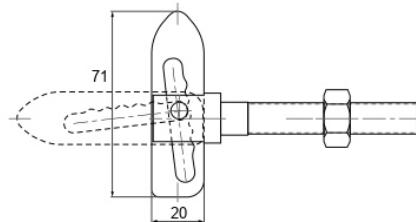
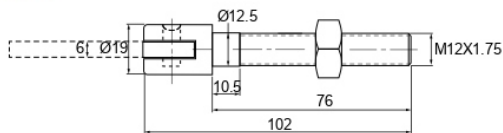
DESCRIPTION

Anti luce fastener bolt on M12x1.75



3244

SPECIFICATIONS



**3274**  
ANTI LUCE

MATERIAL  
**Mild Steel**

FINISH  
**Zinc Plated**

TYPE  
**Weld On**

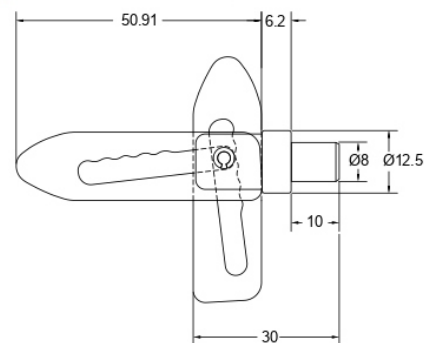
DESCRIPTION

Anti Luce weld on - Small  
12.5mm



3274

SPECIFICATIONS



**3285**  
ANTI LUCE

MATERIAL  
**Mild Steel**

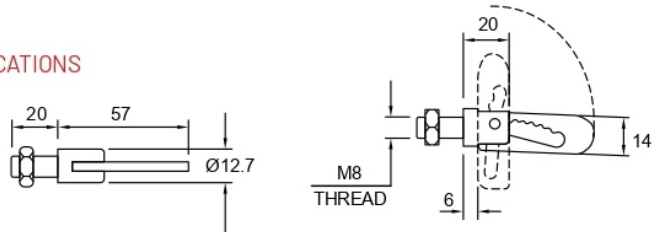
FINISH  
**Zinc Plated**

DESCRIPTION  
Anti luce fastener z/p M8x19.5mm



3285

SPECIFICATIONS



**3285SS-20**  
ANTI LUCE

MATERIAL  
**Stainless Steel**

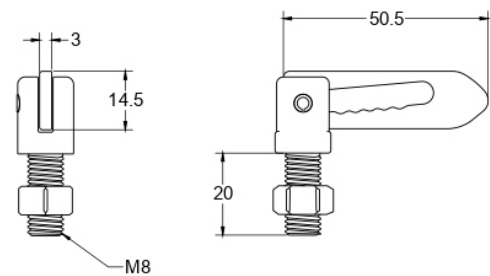
FINISH  
**Polished**

DESCRIPTION  
Anti luce fastener s/s M8x20mm thread



3285SS-20

SPECIFICATIONS



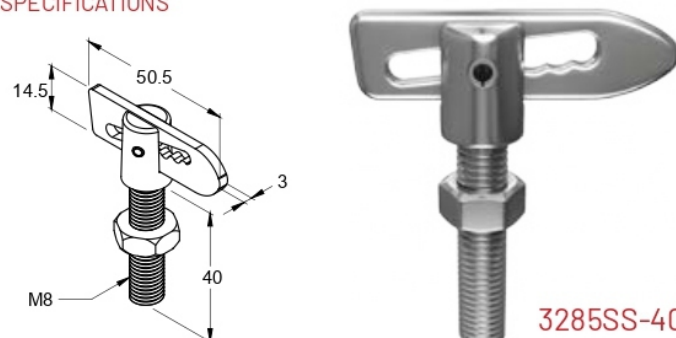
**3285SS-40**  
ANTI LUCE

MATERIAL  
**Stainless Steel**

FINISH  
**Polished**

DESCRIPTION  
Anti luce fastener s/s M8x40mm thread

SPECIFICATIONS



3285SS-40

**1184**  
ANTI LUCE EYELET

MATERIAL  
**Steel**

FINISH  
**Zinc Plated**

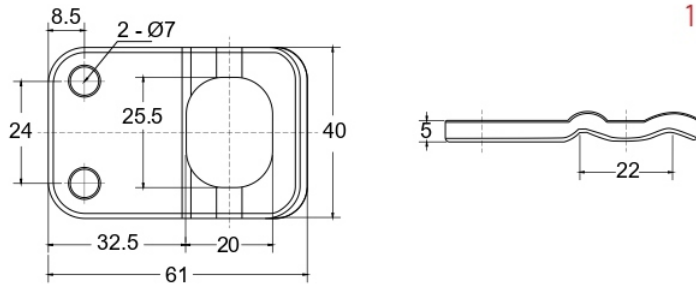
DESCRIPTION

Bolt on. Accepts anti luce toggles.  
Alternative to corner kits or over  
centre catches.



1184

SPECIFICATIONS



**6020023**  
BONNET

MATERIAL  
**Mild Steel / Rubber**

FINISH  
**Zinc Plated / Black**

DESCRIPTION

Rubber Bonnet Fastener



6020023

SPECIFICATIONS

