

# LASHING RINGS

Ideal for a variety of tie - down applications.

- 
- 178 LASHING RINGS - RECESSED
  - 180 LASHING RINGS - LOAD ANCHOR-HEAVY DUTY-RATED
  - 181 LASHING RINGS - FLOOR MOUNT
  - 182 LASHING RINGS - BREECHING STAPLE
  - 183 LASHING RINGS - FOOTMANS LOOPS
  - 184 LASHING RINGS - TONNEAU-HOOKS, LOOPS and BUTTONS



LASHING RING ZP 98701



**98700 / 98700S**  
RECESSED LASHING RING

MATERIAL  
**Zinc Plated / Stainless Steel**

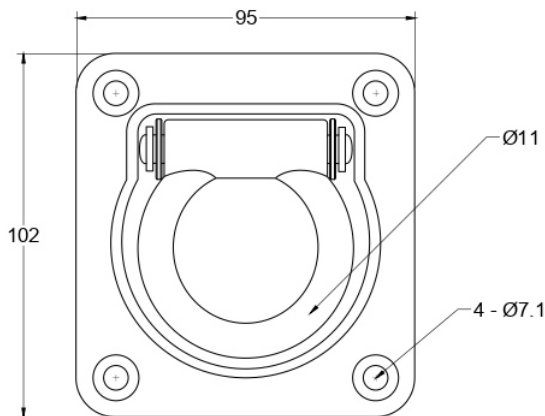
SWL  
**700 KG**

DESCRIPTION  
Lashing Ring Medium



**98700**

SPECIFICATIONS



**98701 / 98701S**  
RECESSED LASHING RING

MATERIAL  
**Zinc Plated / Stainless Steel**

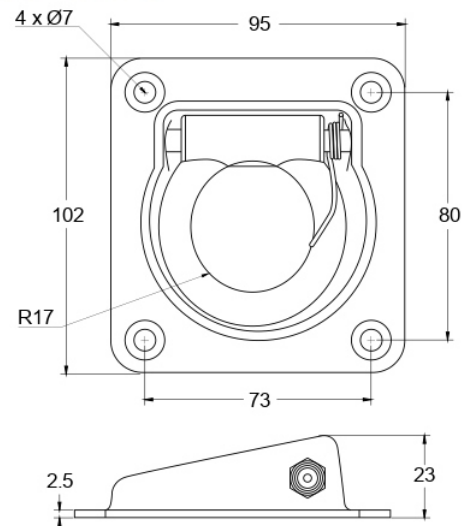
SWL  
**700 KG**

DESCRIPTION  
Lashing Ring Medium with Spring



**98701S**

SPECIFICATIONS



### 98600 / 98600SS

RECESSED LASHING RING



MATERIAL

Zinc Plated / Stainless Steel

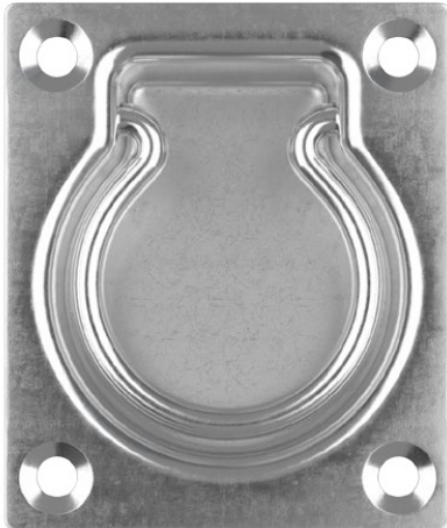
SWL

200 KG

DESCRIPTION

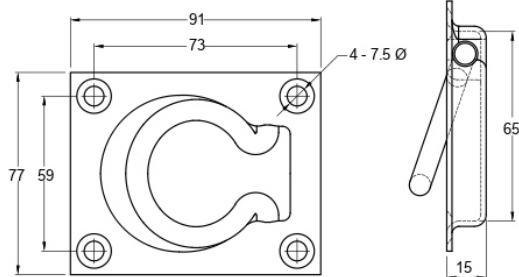
91mm x 77mm x 2mm  
Mounting Depth: 15mm

This anchor point folds away when not in use and is designed to mount flush in the floor.  
The flip-up ring is versatile enough to accept most tie down fittings and is plated for durability.



98600

SPECIFICATIONS



### MCN-LR

RECESSED LASHING RING



MATERIAL

Zinc Plated

SWL

2000 KG

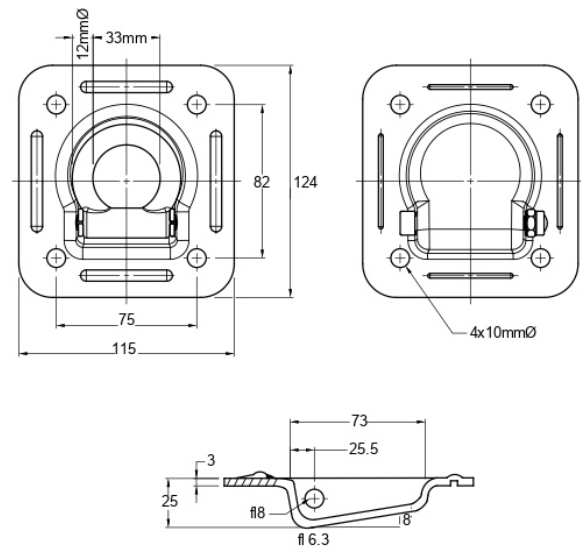
DESCRIPTION

Lashing Ring Large - Forged Eyelet



MCN-LR

SPECIFICATIONS



**ALA25 / ALA60 / ALA12**  
RECESSED LASHING RING

**MATERIAL**

**Weldable Quenched and Tempered Cast Steel**

**LASHING CAPACITY**

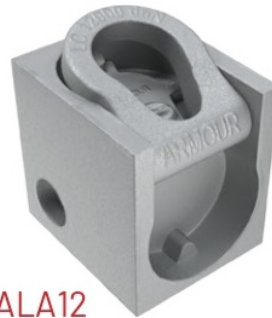
**2.5 Ton (105 x 108mm base)**  
**6.0 Ton (130 x 103mm base)**  
**12 Ton (120 x 140 x 140mm)**

**DESCRIPTION**

Flush Mounted Heavy Duty.  
Tested and Rated.  
Installation instructions supplied.  
Multi-dimensional Pull.



**ALA25**



**ALA12**



**ALA60**

**FEATURES & BENEFITS**

The Armour Load Anchors have numerous benefits over conventional tie down anchor systems. These include the following:

- Flush Mounted or recessed
- Self Cleaning - do not hold dirt/sand
- Compact yet offer greater capacity
- Do not hold water
- Easy to Install
- Easy to Use
- Certified
- Safety
- Multi-dimensional pull
- Made of high quality steel throughout
- Designed specifically for chain hooks or can use slip hook on all Armour Load Anchors.
- Options exists to replace the rub rail and increase deck size or alternatively use the Armour Load Anchors as spaces of the rub rail.

**Self Cleaning**

When the anchor eye is raised any dirt drops below the deck.

**Markings**

Lashing capacity in daN on top of eye and in lbs on back.

**Armour Push Plate**

It provides a seal when not in use. It acts as an activating plate so when pushed. It raises the anchor eye. It is loose fitting so that it expels dirt when it moves either by hand or by vehicle movement.

**Strength Relative to Size**

The anchor eye contains an integrated pin which, together with the solidly designed housing, increases the lashing capacity of the Armour Load Anchor compared to competing products.

**Flush Mounted**

**Minimum Freeze Points**

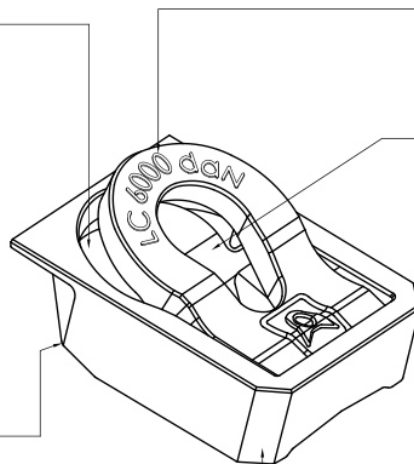
The innovative design means the eye rests on only two small points - minimizing the potential for the eye to freeze down in colder climates

**Angle Brace Fixing**

The design allows for extra angle brace fixing if required.

**Tapered Corners**

Allows for member welds ensuring a neat fit.



9/01181

9/01182

50051

984010MZ

FLOOR MOUNT LASHING RING



MATERIAL

Zinc Plated / Steel / Bolt On

SWL

200 KG

DESCRIPTION

9/01181 - Lashing Ring without black nylon shroud

9/01182 - Lashing Ring complete with black nylon shroud

50051 - Light Duty Rope Tie Down

984010MZ - Lashing Ring Eye Bolt Type - 2500 daN

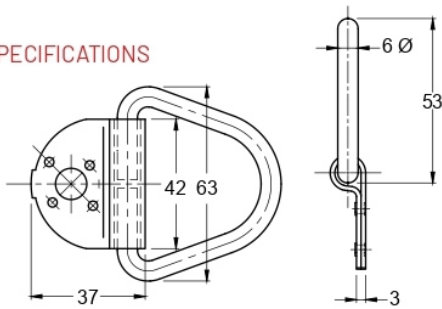


9/01181

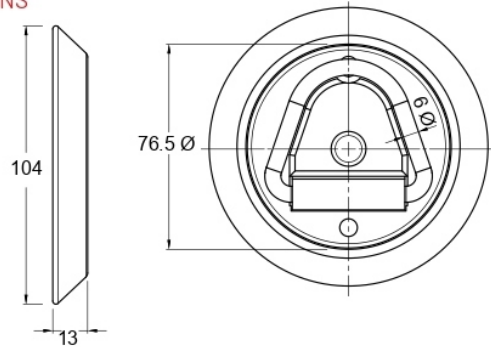


9/01182

SPECIFICATIONS



SPECIFICATIONS

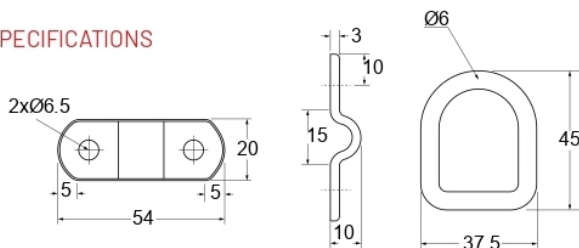


50051



984010MZ

SPECIFICATIONS



SPECIFICATIONS

