

# LOCKS

Manufactured for a variety of applications due to their versatility.

Commonly used in the motor body / vehicle manufacture – transport, mining, marine and defense. Also used on camper trailers, service vehicles, tool boxes and general fabrication.

We can also offer different locking options and finishes.

---

15	LOCKS - ELECTRICAL - FAST LOCK	40	LOCKS - SLAM LOCK
16	LOCKS - WHALE TAIL HANDLE	42	LOCKS - PUSH TO CLOSE - SOUTHCO
17	LOCKS - EBERHARD WHALE TAIL	43	LOCKS - EBERHARD PUSH BUTTON LATCH
19	LOCKS - VECTOR T HANDLE	55	LOCKS - ROTARY LATCH - SOUTHCO
22	LOCKS - RECESSED COMPRESSION "T" HANDLE	57	LOCKS - ROTARY LATCH - EBERHARD
23	LOCKS - DROP T - HANDLES	62	LOCKS - DRAW LATCH - SOUTHCO
29	LOCKS - FLUSH COMPRESSION LATCH SEALED	63	LOCKS - SWELL ACTION LATCH
30	LOCKS - COMPRESSION - POP LOCKS	64	LOCKS - QUARTER - TURN
33	LOCKS - PADDLE LOCK	69	LOCKS - COIN / CAM LOCK
35	LOCKS - PADDLE LATCH - RV STYLE	72	LOCKS - COMPARTMENT
36	LOCKS - PUSH - TO - CLOSE LATCH	72	LOCKS - COIN LOCK
39	LOCKS - LUGGAGE BIN	73	LOCKS - BUDGET LOCK
		74	LOCKS - REFRIGERATION
		75	LOCKS - FRONT HANDLE DRAWER - FIRE AND EMERGENCY

DROP T S/S HEAVY DUTY  
STRAIGHT TONGUE



\* All SOUTHCO products shown can be found at [www.southco.com](http://www.southco.com)  
Full range of products, drawings and technical details are readily accessible.

## FL-244

ELECTRICAL - FAST LOCK - REMOTE T-HANDLE LOCKING SYSTEMS

MODEL NAME <b>Fast Lock V2 Patented</b>	EXTERIOR COLOUR <b>Silver</b>	WEIGHT <b>900g</b>	OPENING ROTATION <b>90° clockwise</b>
ELECTRICAL RATING <b>4.1A/12V, 2A/24V</b>	OPERATION TEMPERATURE <b>-40°C to +80°C</b>	PROTECTION LEVEL <b>IP65</b>	
ELECTRIC MECHANICAL LIFE <b>&gt;30 000 cycles</b>	MAXIMUM PANEL THICKNESS <b>4mm</b>	WARRANTY <b>24 months</b>	

[www.fastlockinternational.com](http://www.fastlockinternational.com)

### DESCRIPTION

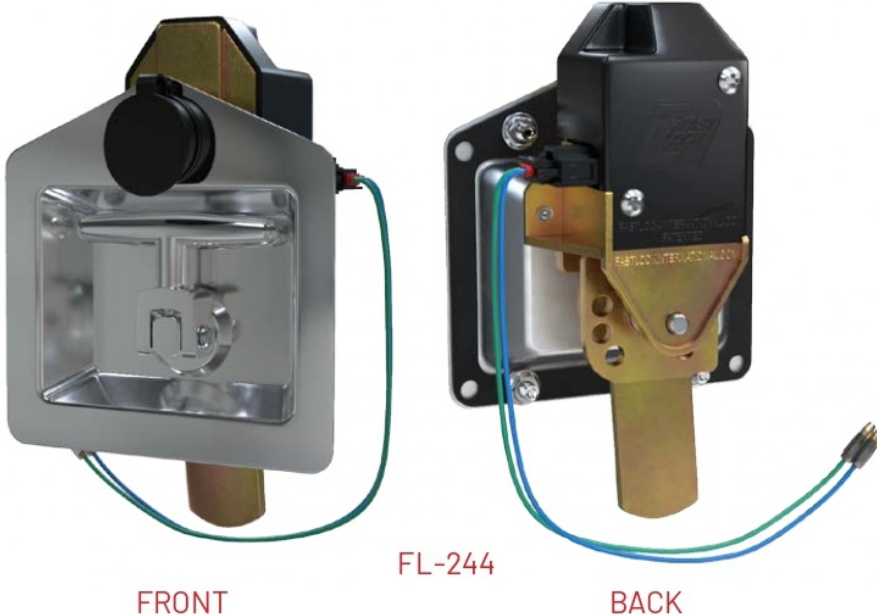
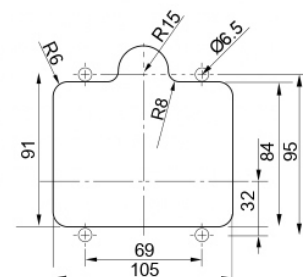
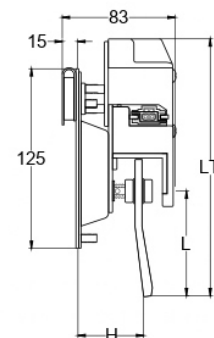
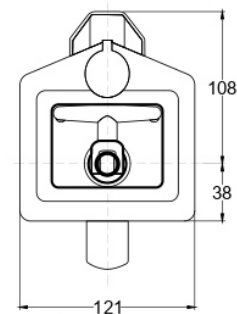
- Stainless Steel – Polished Dish
- IP65 Certified – Rain, Dust and Dirt-Proof.
- Integrated Design – Internationally Patented.
- Electric Motor Actuator Multi-volt 12-24V to Locking Mechanism on Key Barrel.
- Plug and Play Harness to Electric Motor to attach to Central Locking.
- Plugs are compatible with most aftermarket Central Locking Systems.
- Compact and Durable.
- Quick Installation without Dismantling the lock.
- 3 Point locking available, if required.
- Can use key to override manually, if required.
- Concealed Stud Fix security.
- Assembled and Tested in Australia.
- Warranty – 24 Months.
- Wiring Diagram – [www.fastlockinternational.com](http://www.fastlockinternational.com)



### SPECIFICATIONS

Product Code	Voltage	Cam	H=	L=	LT
FL-244-1	12-24V	Straight	35-44	66	174
FL-244	12-24V	Bent with offset of 25mm	45-54	78	186

Locks are keyed alike. Different key codes are available.  
Please note that FAST LOCK reserves the right to alter designs and dimensions without notice, McNaughtans Pty Ltd. - PATENTED.



## GFCL2200 / GFCL2200BC / GFCL2200BB

WHALE TAIL HANDLES - MANUAL  
OR CENTRAL LOCKING OPTION

CENTRAL LOCKING OPTION Requires:  
**GFCL2200-AC12V-24V** - Bracket and Actuator  
12/24V DC Multivolt operation.  
**GFCL2200-ACCOV** - Actuator Cover.

### DESCRIPTION

The Whale Tail lock can be supplied with or without Central Locking.  
The unit is available in 3 colour configurations:  
Full Polished Chrome, Black body with Polished Chrome handle or Full Black.  
The handle has a concealed fit. A fixing backing plate to be screwed in place at the rear.  
Compression style locking with adjustable roller cam.  
The Whale Tail Handle is manufactured for security.  
The Whale Tail has a facility for a padlock for added security if required.  
A three point locking system can be produced with a pair of rods that can be purchased separately.  
Central locking is offered handed as shown.  
Option of a bracket for central locking on the alternative side is available on request.  
Bracket Part # **GFCL2200-ACBKT**



GFCL2200

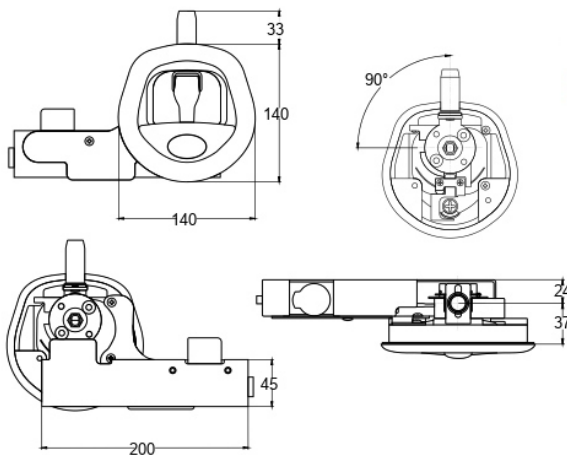


GFCL2200BC

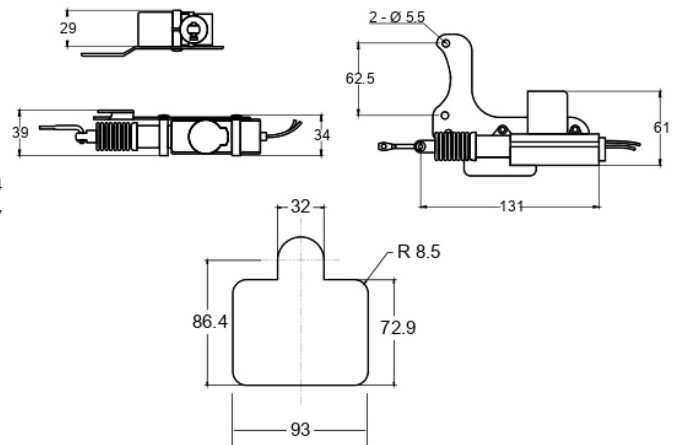


GFCL2200BB

### SPECIFICATIONS



### SPECIFICATIONS FOR ACTUATOR



**EBERHARD P-28630 & P1-28630**  
**WHALE TAIL COMPRESSION HANDLES -**  
**MANUAL OR CENTRAL LOCKING OPTION**

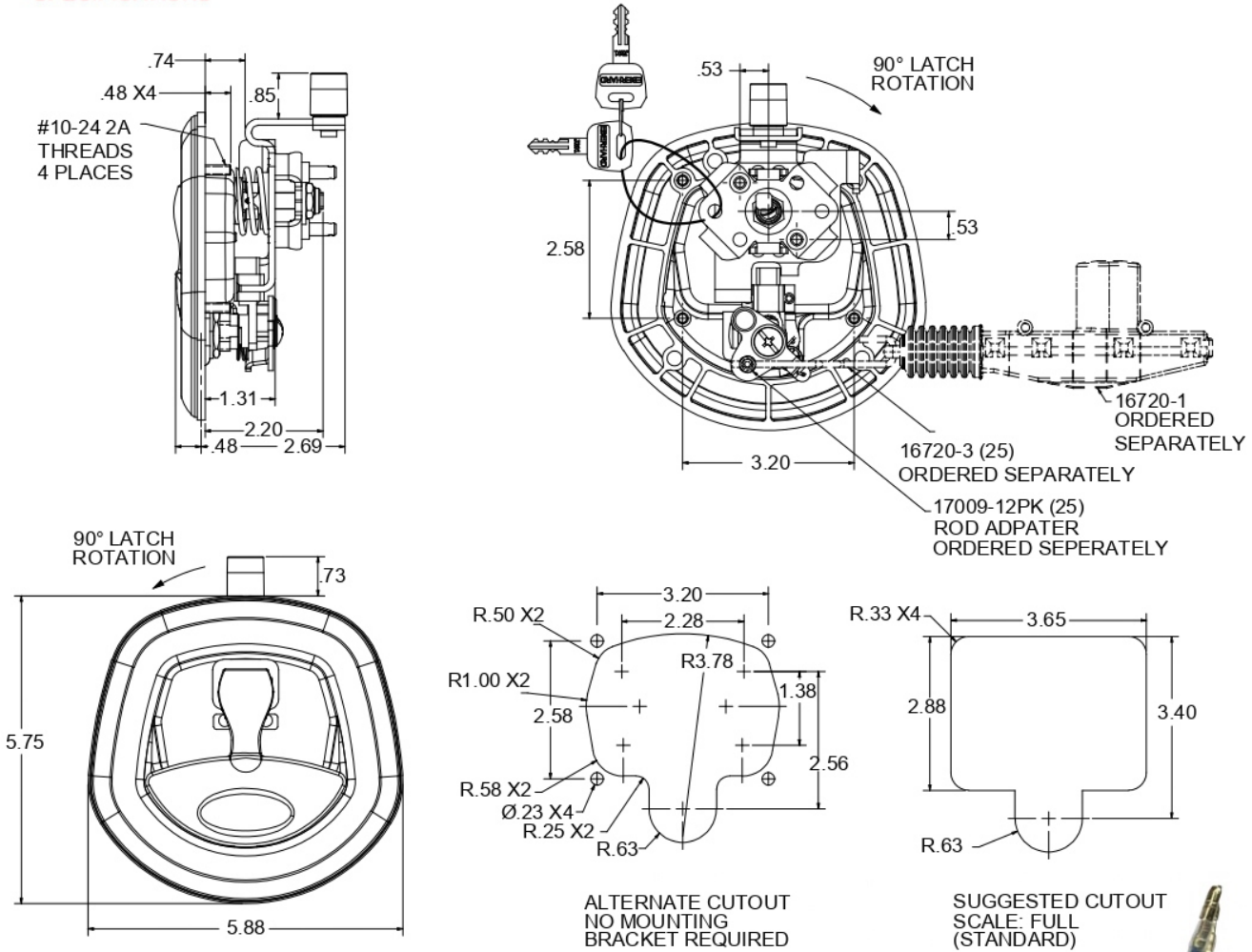
- Right hand compression latch with roller cam
- Stamped receptacle with zinc diecast folding handle in multiple finishes:
  - Polished stainless steel receptacle & chrome handle
  - Black powder coated receptacle & chrome handle
  - Black powder coated receptacle & handle
- Adjustable roller cam in 2 lengths:
  - Long cam P1 = 1.32" & short cam P = 0.85"
- Mounting studs with mounting bracket
- Double-bitted key cylinder
- Pre-installed gasket
- Multi-point fixing
- Pad-lockable for added security
- Handle can be used for both power up & manual operation

MOQ's & lead times may apply



**EBERHARD P-28630 & P1-28630**  
 WHALE TAIL COMPRESSION HANDLES -  
 MANUAL OR CENTRAL LOCKING OPTION

**SPECIFICATIONS**



AVAILABLE AS A POWER UP KIT, INCLUDING:

- Ergo whale tail handle
- Power door slave actuator with spring detent.
- Nose end fitting. Available in 12V (RADN) or 24V (RA24).
- Ergo aluminium bracket
- 2x rods & rod guides
- Ergo pins & washers

