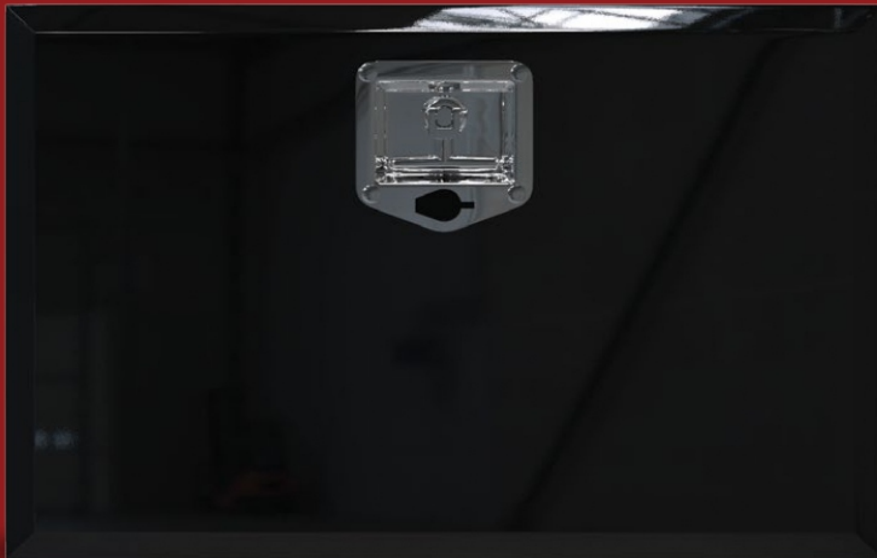


# TOOLBOXES

Heavy duty toolboxes are available in different sizes and finishes.

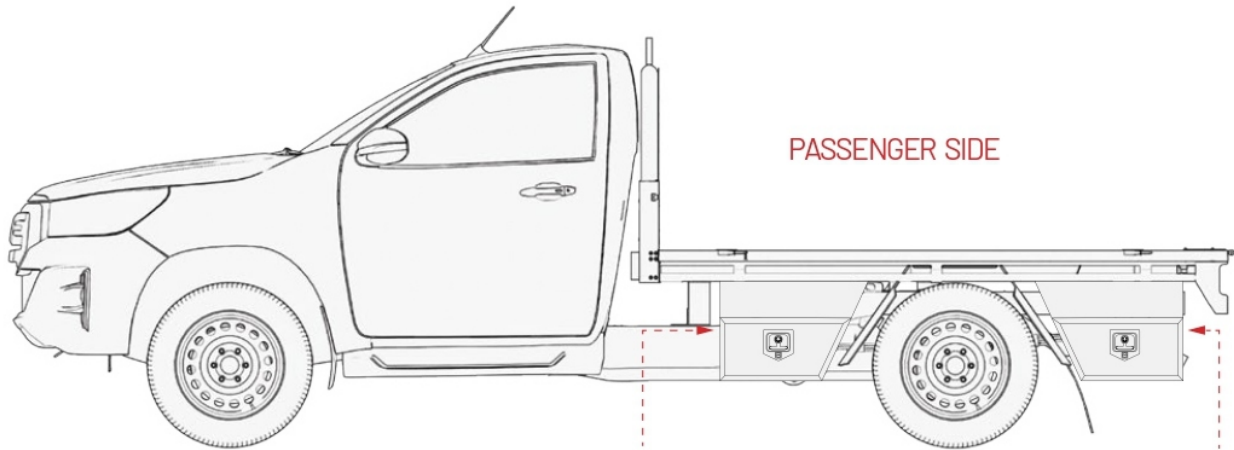
- 
- 355 TOOLBOX - UNDER TRAY TOOLBOX - HANDING DIAGRAM
  - 356 TOOLBOX - UNDER TRAY UTE BODY ANGLED TOOLBOX
  - 358 TOOLBOX - RECTANGULAR

TOOLBOX BLACK POWDERCOAT  
500x350x400



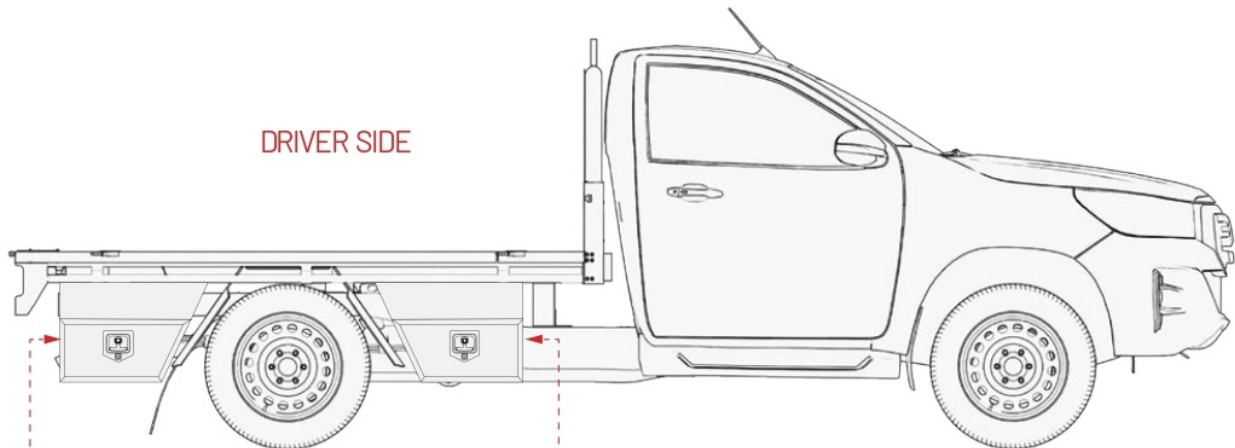
## UNDER TRAY STORAGE

ANGLE TO RIGHT TO FIT FRONT PASSENGER SIDE OR REAR DRIVER SIDE



- TBBLK604026R
- TBTRBLK604026R
- TBTRALU604025R
- TBTRALU754025R

- TBBLK604026L
- TBTRBLK604026L
- TBTRALU604025L
- TBTRALU754025L



- TBBLK604026R
- TBTRBLK604026R
- TBTRALU604025R
- TBTRALU754025R

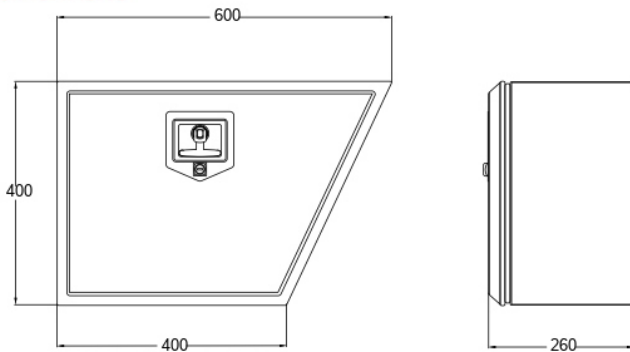
- TBBLK604026L
- TBTRBLK604026L
- TBTRALU604025L
- TBTRALU754025L

**TBBLK604026L / TBBLK604026R**  
 UNDER TRAY UTE BODY ANGLED TOOLBOX

**DESCRIPTION**

Supplied Left hand or Right hand.  
 Black Powder coat Finish.  
 Full body door.  
 Hinged at the bottom.  
 Lanyard door hold.  
 Waterproof pinchweld seal.  
 Locking Stainless Steel drop "T" handle.  
 600 x 400 x 260mm

**SPECIFICATIONS**



TBBLK604026L



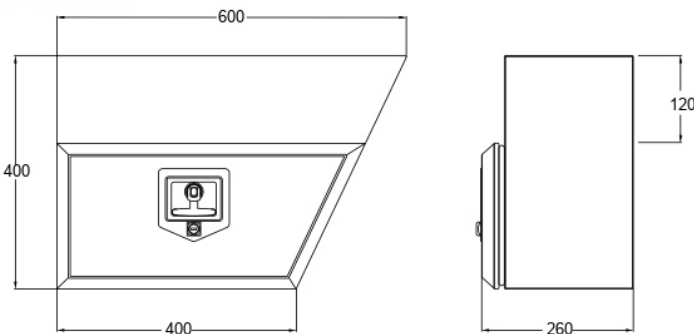
TBBLK604026R

**TBTRBLK604026L / TBTRBLK604026R**  
 UNDER TRAY UTE BODY ANGLED TOOLBOX

**DESCRIPTION**

Supplied Left hand or Right hand.  
 Black Powder coat Finish.  
 Tie Rail accommodating door.  
 Hinged at the bottom.  
 Lanyard door hold.  
 Waterproof pinchweld seal.  
 Locking Stainless Steel drop "T" handle.  
 600 x 400 x 260mm

**SPECIFICATIONS**



TBTRBLK604026L



TBTRBLK604026R

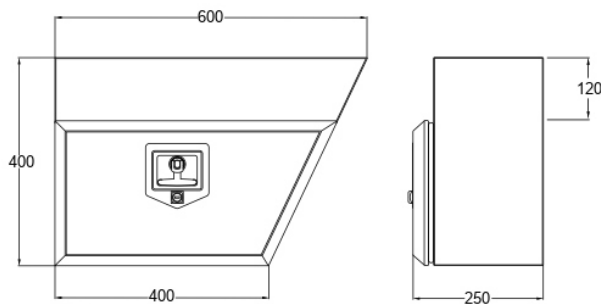
**TBTRALU604025L / TBTRALU604025R**  
UNDER TRAY UTE BODY ANGLED TOOLBOX



**DESCRIPTION**

Supplied Left hand or Right hand.  
Aluminium Checker Plate Finish.  
Tie Rail accomodating door.  
Hinged at the bottom.  
Lanyard door hold.  
Waterproof pinchweld seal.  
Locking Stainless Steel drop "T" handle.  
600 x 400 x 250mm

**SPECIFICATIONS**



TBTRALU604025L



TBTRALU604025R

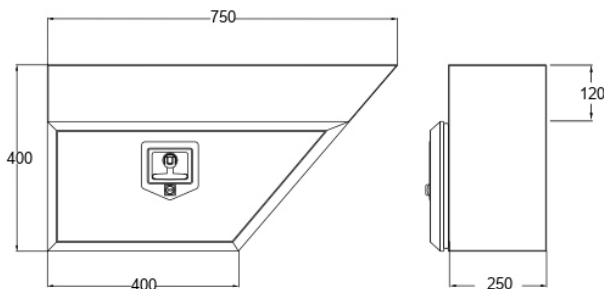
**TBTRALU754025L / TBTRALU754025R**  
UNDER TRAY UTE BODY ANGLED TOOLBOX



**DESCRIPTION**

Supplied Left hand or Right hand.  
Aluminium Checker Plate Finish.  
Tie Rail accomodating door.  
Hinged at the bottom.  
Lanyard door hold.  
Waterproof pinchweld seal.  
Locking Stainless Steel drop "T" handle.  
750 x 400 x 250mm

**SPECIFICATIONS**



TBTRALU754025L



TBTRALU754025R

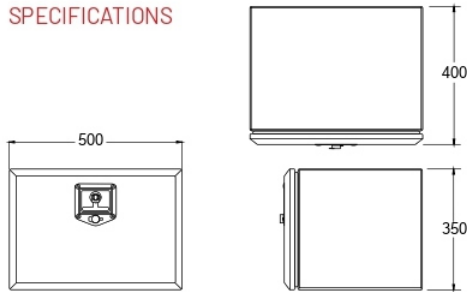
**TBBLK503540 / TBSS503540**  
TOOLBOX

FINISHES  
**Black Powder Coat /**  
**Polished Stainless Steel**

DESCRIPTION

Our standard range are available in black powder coated steel, with stainless steel Drop "T" latches, pinch weld seal and steel cable lanyards. Stainless Steel option available.

SPECIFICATIONS



TBBLK503540



TBSS503540

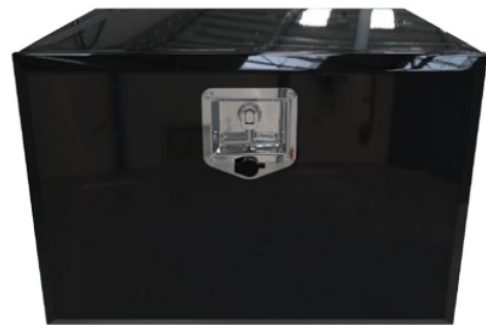
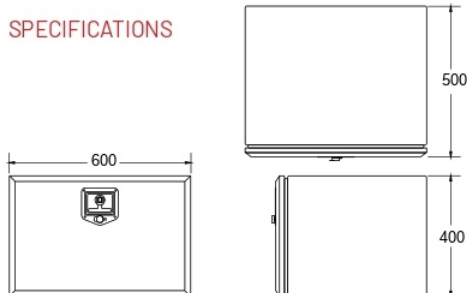
**TBBLK604050 / TBSS604050**  
TOOLBOX

FINISHES  
**Black Powder Coat /**  
**Polished Stainless Steel**

DESCRIPTION

Our standard range are available in black powder coated steel, with stainless steel Drop "T" latches, pinch weld seal and steel cable lanyards. Stainless Steel option available.

SPECIFICATIONS



TBBLK604050



TBSS604050