

VENTS

Promote airflow by removing the hot air and increasing circulation for a cooler airflow. The vents will also offer a negative internal pressure for canopies. Ideal for the use in work trailers, horse floats, canopies, toolboxes and even mobile homes , etc.

- 346 VENTS - POP-UP VENT
- 347 VENTS - MULLER VENT
- 348 VENTS - ROTARY VENT
- 348 VENTS - ROSE VENT
- 349 VENTS - LOUVRE VENT ALUMINIUM
- 352 VENTS - TWO WAY DIRECTIONAL VENT - EBERHARD



POP - UP VENT



623/002

POP UP VENT - MEDIUM

DESCRIPTION

Great for all kinds of trailers. Vent is also referred to as a "rat trap vent". These are not an intake vent and should be mounted facing backwards to the direction of travel. For intake vents we would recommend our muller vents or rotary vents.

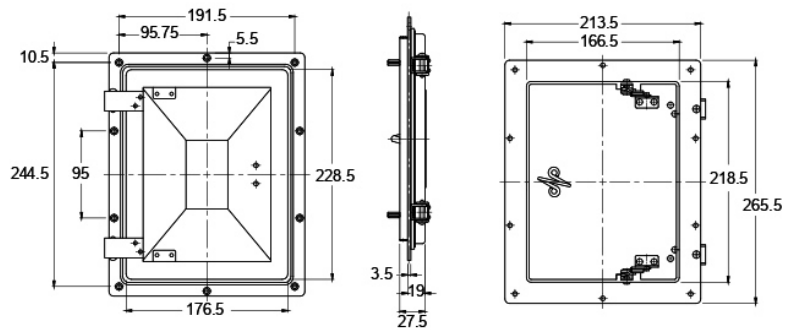
STANDARD FEATURES

- ▶ Aluminium fixing base
- ▶ Black powder coated steel
- ▶ Spring Opening
- ▶ Fitted with foam seal for dust and water protection



SPECIFICATIONS

623/002



623/003

POP UP VENT - SMALL

DESCRIPTION

Great for all kinds of trailers. Vent is also referred to as a "rat trap vent". These are not an intake vent and should be mounted facing backwards to the direction of travel. For intake vents we would recommend our muller vents or rotary vents.

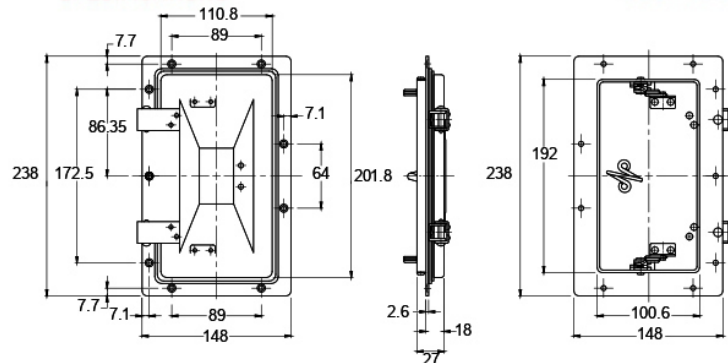
STANDARD FEATURES

- ▶ Aluminium fixing base
- ▶ Black powder coated steel
- ▶ Spring Opening
- ▶ Fitted with foam seal for dust and water protection



SPECIFICATIONS

623/003



MV1
MULLER VENT



LENGTH
285mm

WIDTH
185mm

HEIGHT
50mm

HOLE CUT SIZE
120mm

DESCRIPTION

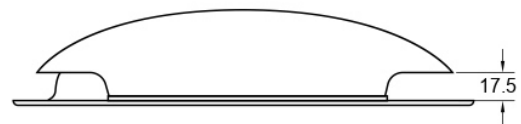
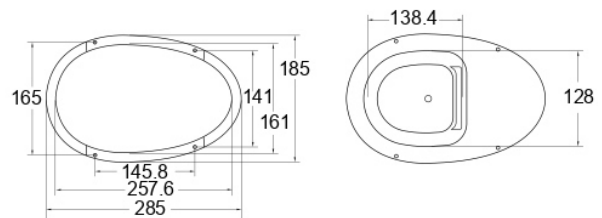
As air passes through the vent it creates a vacuum and draws the air from the inside-out. Perfect for any Van, Bus, Caravan, Truck, Trailer or Float.

Low profile aerodynamic design only protrudes 50mm above roof.

Simple installation, Cut a 120mm hole and place the vent over the top with the larger end of the teardrop shape facing forward. For a weather proof seal we would suggest using some adhesive sealant or silicone. Then secure with rivets or screws.



SPECIFICATIONS



MV1

SV100
ROTARY VENTS

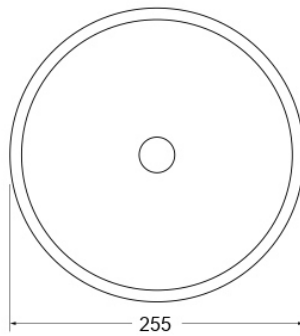
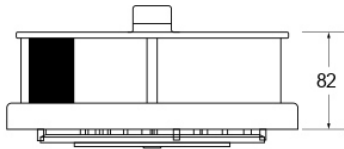
DESCRIPTION

Rotary Vents, also known as "Whirly Birds or Spinning Vents" are made from PVC and white in colour. Rotary vents are ideal for Trailers, Caravans, Motor homes, canopies, etc.

STANDARD FEATURES

- ▶ White in Colour
- ▶ Made from PVC

SPECIFICATIONS



SV100

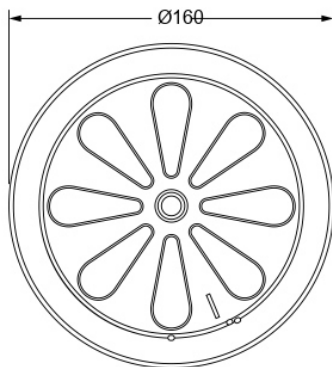


RV1
ROSE VENTS - PLASTIC

DESCRIPTION

Used internally.
Can be open or closed.
Can be used in conjunction with SV100 (Rotary Vent)
160mm diameter overall.

SPECIFICATIONS



RV1



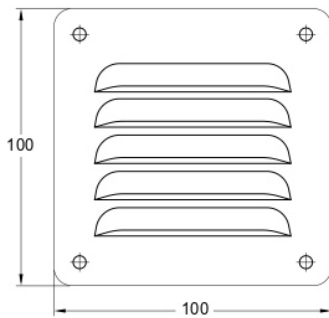
MCNLV100MMX100MM
LOUVRE VENT ALUMINIUM

WIDTH
100mm

HEIGHT
100mm

DESCRIPTION
Aluminium vent is lightweight and quick to install.

SPECIFICATIONS
▶ 1 Row of 5 Louvres



MCNLV100MMX100MM

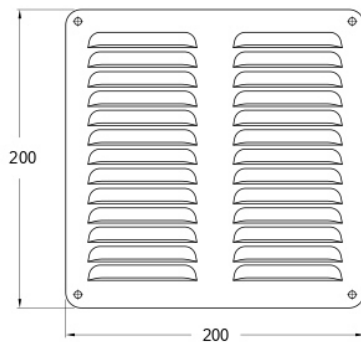
MCNLV200MMX200MM
LOUVRE VENT ALUMINIUM

WIDTH
200mm

HEIGHT
200mm

DESCRIPTION
Aluminium vent.

SPECIFICATIONS
▶ 2 Rows of 13 Louvres



MCNLV200MMX200MM