

WATER TANKS

Available in 15 Litre to 60 Litre and feature a Soap or Sunscreen Dispenser.

364 WATER TANKS - WATER TANKS



WATER TANK TRUCK, TRAILER & UTE
15 LITRE SQUARE - INCL. SOAP DISPENSER



15L / 23L
WATER TANKS

MATERIAL
Polyethylene

FINISH
Black

DESCRIPTION
Water Tank and Dispenser.
(Replacement Dispensers available)

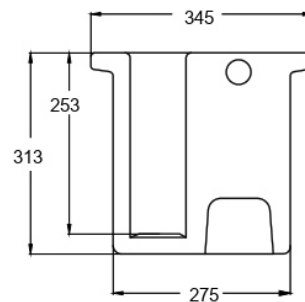


15L

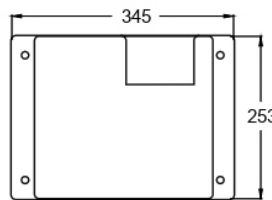


23L

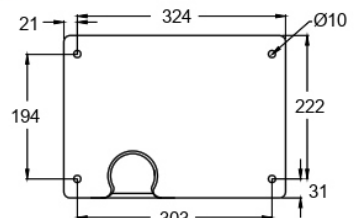
SPECIFICATIONS FOR 15L



Front

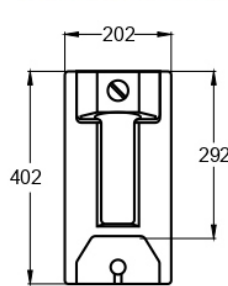


Bottom

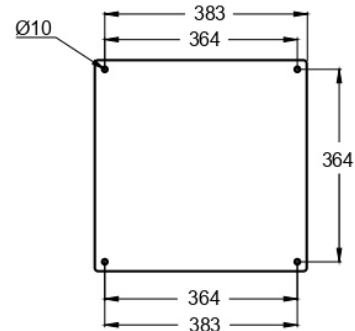


Top

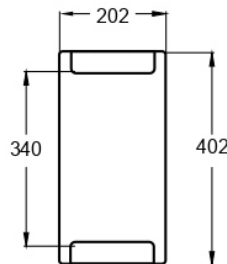
SPECIFICATIONS FOR 23L



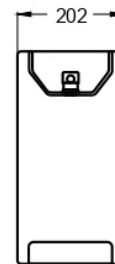
Front



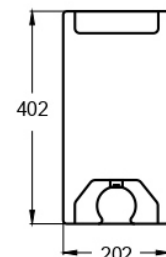
Side



Back



Bottom



Top

30L / 60L
WATER TANKS

MATERIAL
Polyethylene

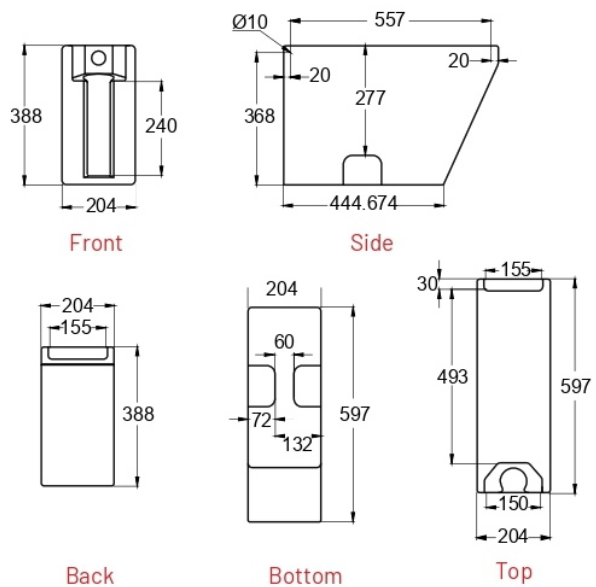
FINISH
Black

DESCRIPTION

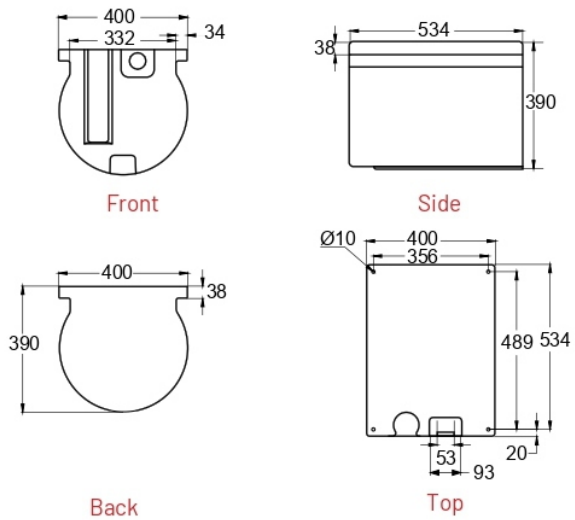
Water Tank and Dispenser.
(Replacement Dispensers available)



SPECIFICATIONS



SPECIFICATIONS



WT18-IDRO / WT25-IDRO / WT40-IDRO
WATER TANKS

MATERIAL
Polyethylene

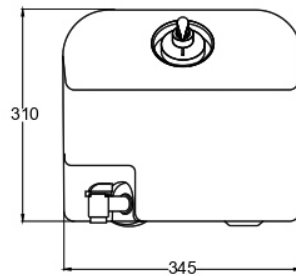
FINISH
Black

DESCRIPTION
Water Tank and Dispenser.

SPECIFICATIONS



WT18-IDRO



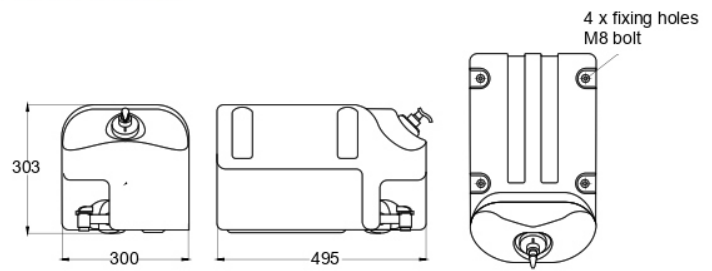
Front

Side

SPECIFICATIONS



WT25-IDRO



Front

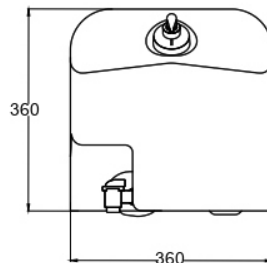
Side

Bottom

SPECIFICATIONS



WT40-IDRO



Front

Side

WT32 / WT50
WATER TANKS

MATERIAL
Polyethylene

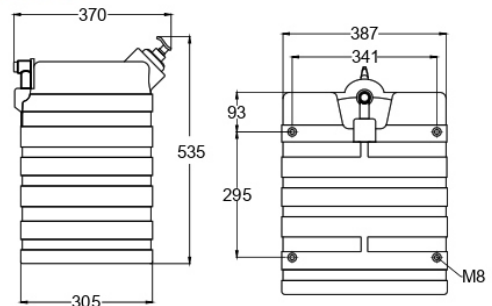
FINISH
Black

DESCRIPTION
Water Tank and Dispenser.



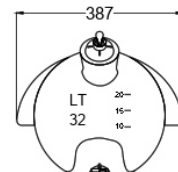
WT32

SPECIFICATIONS



Side

Bottom

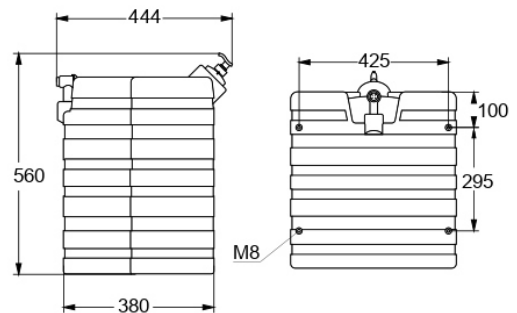


Front



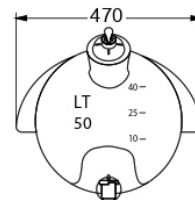
WT50

SPECIFICATIONS



Side

Bottom



Front